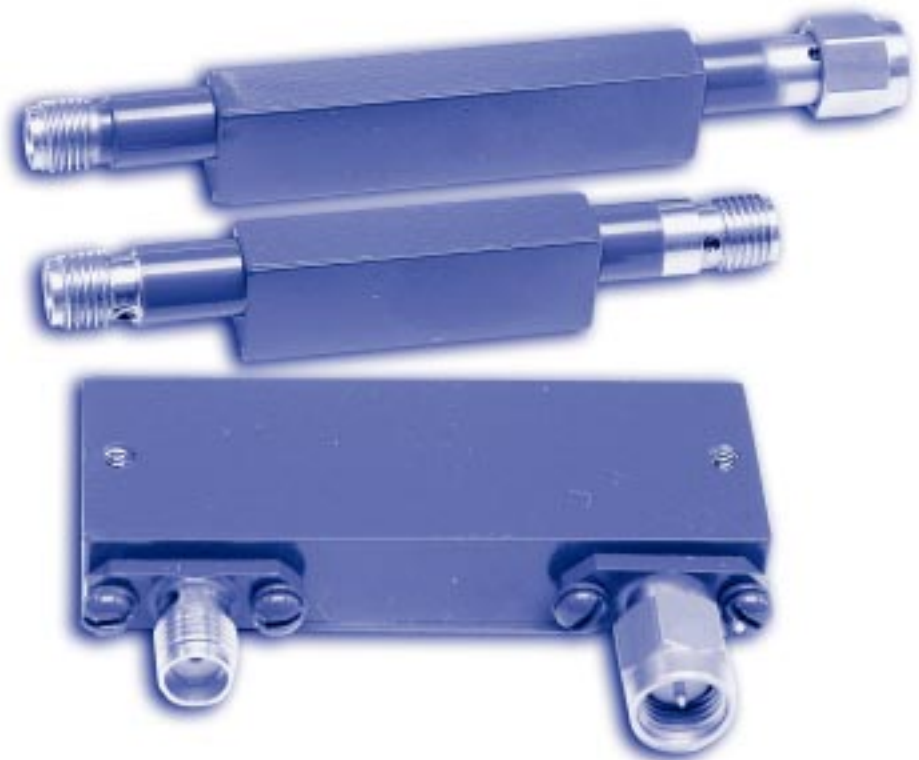




Miniature Cavity Filters

Reactel's Miniature Cavity Filters employ helical resonators for low frequencies (200 to 2000 MHz), and loaded coaxial resonators for higher frequencies (2 to 26 GHz). The small size and rugged construction make these units ideal for use in harsh environments. The series CM0 and CM1 filters can handle 3 dB bandwidths from 2% to an octave, while series CM2 is suitable for 3 dB Bandwidths from 1.5 to 15% wide.





Miniature Cavity Filters

Part Numbering System

6 CM 1 — 15G — 500 S 1 1
 1 2 3 4 5 6 7 8

Part Number Definition:

- 1- Number of Sections
- 2- Miniature Cavity Filter
- 3- Series Identification
- 4- Center Frequency
- 5- 3 dB Bandwidth
- 6- Connector Definition (See below)
- 7- Input Connector Type
- 8- Output Connector Type



The length of series CM0 and CM1 filters are dependent on specific frequencies and number of sections. Lengths will be provided with quotations for your particular requirements.

Series CM2 Filter Length (L) v. Number of Sections

Number of Sections	2	3	4	5	6	7	8
Filter Length	1.13"	1.56"	2.00"	2.44"	2.87"	3.31"	3.75"

Miniature Cavity Filter Standard Connectors

Series	Connector Type			
	SMA Male (S2)	SMA Female (S1)	PC Pins (P)	RG 188 Cable (G)
CM0	Available	Available	N/A	N/A
CM1	Available	Available	N/A	N/A
CM2	Available	Available	Available	Available

Other types of connectors are available, please consult the factory with your requirement.

Reactel, Incorporated — Reacting First to Your Filter Requirements

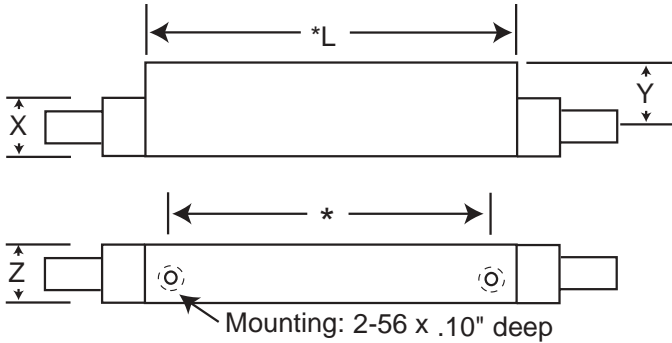
8031 Cessna Avenue ♦ Gaithersburg, Maryland 20879

Phone: 301-519-3660 ♦ Fax: 301-519-2447 ♦ reactel@reactel.com ♦ www.reactel.com



Miniature Cavity Filters

Series CM0 and CM1



Body Dimentions

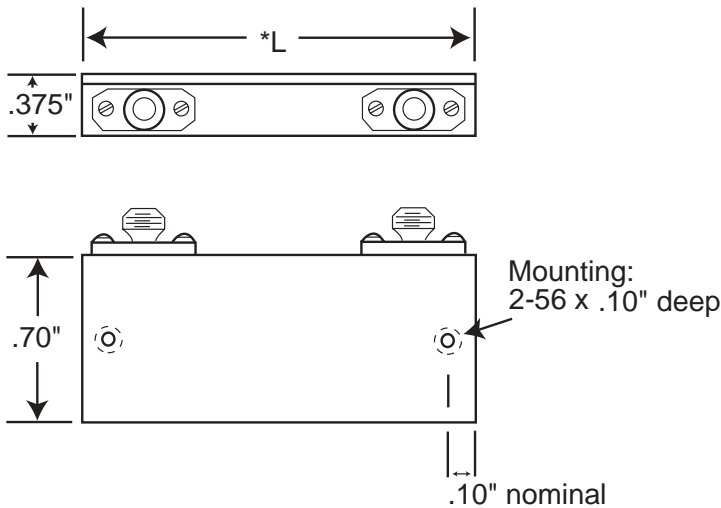
Series	X	Y	Z
CM0	.375	.250	.250
CM1	.500	.312	.375

* Consult factory for filter lengths and mounting dimensions.

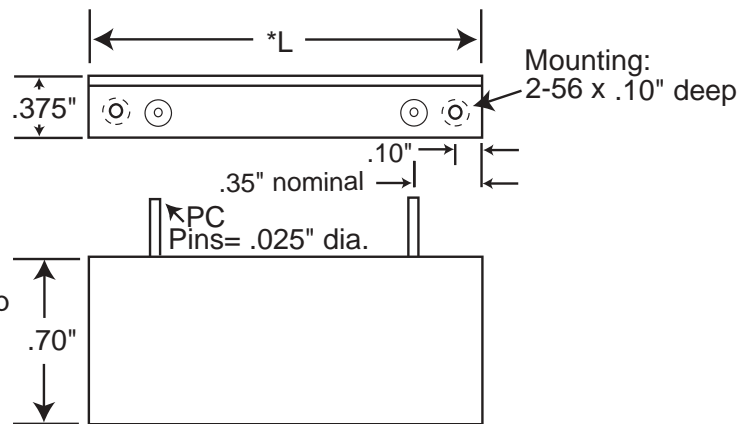
Miniature Cavity Outline Drawings

Series CM2

SMA Connectors



PC Pins



* For Filter lengths, see table on page 18.